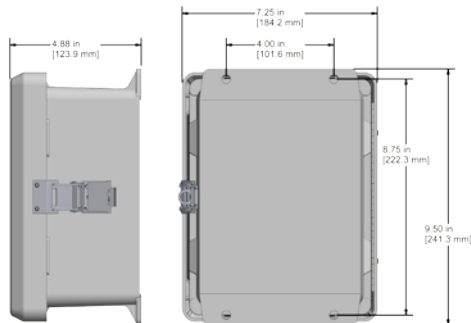
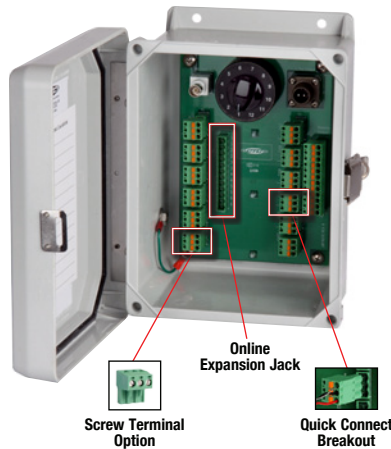


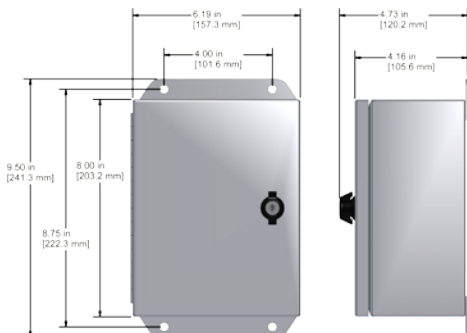
SB102/SB202

Fiberglass (SB102) or Stainless Steel (SB202) Switch Boxes 4, 6, 8, 10 and 12 Channels

SB102 Fiberglass Enclosure



SB202 Stainless Steel Enclosure



Product Features

Provides a switched output to a BNC and 2 Pin connector
Can house up to 12 channel inputs for convenient access.
Enclosure can be easily mounted to many surfaces for increased accessibility.

- Provides a switched output from remotely installed sensors to a data collector through a BNC and a 2 Pin MIL spec connector
- Accepts Input from: Sensors
Proximity Probes
Temperature Probes
- Quick-release input terminal blocks

Specifications

	SB102	SB202
Inputs	Terminal Block 3 Inputs per channel (+, -, Shield)	
Switched Output	BNC Jack and 2 Pin MIL	
Continuous Output	Multi-pin connector for interface with online systems (optional) Requires JB905-1A/2A	
Rating	NEMA 4X (IP66)	
Door Closure	Snap Latch	Twist Lock
Material	Fiberglass	Stainless Steel
Temperature Rating	-58° to 180° F (-50° to 82° C)	
Resistance	Resistant to Hose Directed Fluid and Corrosion	

Ordering Information

SB -

Enclosure Type 102 = Fiberglass Enclosure 202 = Stainless Steel Enclosure	Channels 4 = 4 Channels 6 = 6 Channels 8 = 8 Channels 10 = 10 Channels 12 = 12 Channels	Input Options A = *User Defined Entry With Spring Cage Terminal Blocks B = **Conduit Fitting Cable Entry With Spring Cage Terminal Blocks C = Cord Grip Cable Entry With Spring Cage Terminal Blocks E = BNC Cable Connection With Spring Cage Terminal Blocks S = †Stainless Steel Cord Grip Entry With Spring Cage Terminal Blocks G = *User Defined Entry With Screw Terminal Blocks H = **Conduit Fitting Cable Entry With Screw Terminal Blocks I = Cord Grip Cable Entry With Screw Terminal Blocks J = BNC Cable Connection With Screw Terminal Blocks K = †Stainless Steel Cord Grip Entry With Screw Terminal Blocks	
--	---	--	--

Example Part Number: SB102-4C
 Four channel switch box, NEMA 4X enclosure, with cord grip inputs

- * No punch outs are provided in the enclosure for cable entry. User may install any fitting required.
- ** For use with rigid body conduit.
- † Stainless Steel enclosure only.
- Optional Accessories:**
 - JB905-1A or 2A - Multi socket output connector for online systems interface. Note: End user is responsible for providing enclosure exit when using this option.

Backed by our Unconditional Lifetime Warranty

