

AC964 Series

Low Capacitance, IEC Certified (IECEx), Intrinsically Safe Accelerometer, Side Exit Connector/Cable, 50 mV/g

SECTION 1 - VIBRATION SENSORS
Low Capacitance Accelerometers



Actual Product Size Shown

IECEx



Requires **Intrinsically Safe Barrier**

Product Features

IECEx Approvals

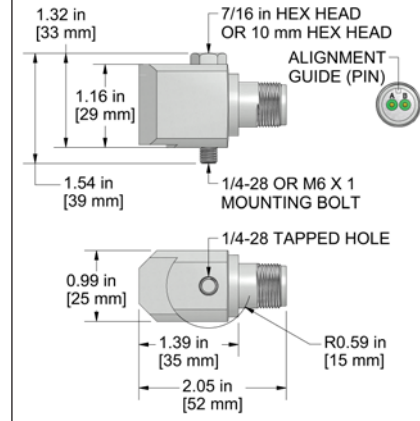
Excellent for Higher g Applications

- ± 100 g, Peak Dynamic Range
- 50 mV/g Sensitivity $\pm 10\%$
- Requires Intrinsic Safety Barrier (see page 348)

AC964-1A

2 Pin Connector

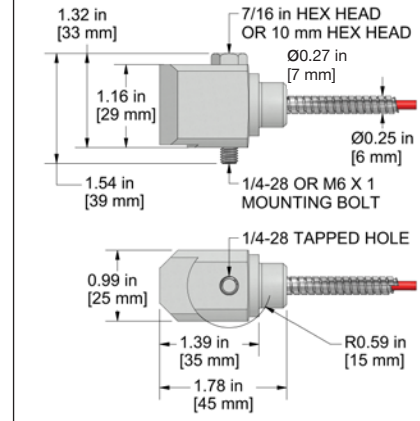
Connector Pin	Polarity
A	(+) Signal / Power
B	(-) Common



AC964-3C

Armored Integral Cable

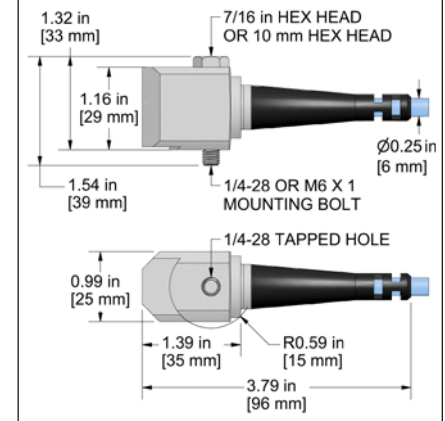
Conductor	Polarity
Red	(+) Signal / Power
Black	(-) Common
Shield	Cable Drain Wire



AC964-9C

Integral Cable

Conductor	Polarity
Red	(+) Signal / Power
Black	(-) Common
Shield	Cable Drain Wire



Specifications	Standard	Metric
Part Number	AC964	M/AC964
Sensitivity ($\pm 10\%$)		50 mV/g
Frequency Response (± 3 dB)	48-516,000 CPM	0,8-8600 Hz
Frequency Response ($\pm 10\%$)	90-300,000 CPM	1,5-5000 Hz
Dynamic Range		± 100 g, peak
Electrical		
Settling Time		<3 Seconds
Voltage Source (IEPE)		18-28 VDC
Constant Current Excitation		2-10 mA
Spectral Noise @ 10 Hz		40 μ g/√Hz
Spectral Noise @ 100 Hz		25 μ g/√Hz
Spectral Noise @ 1000 Hz		26 μ g/√Hz
Output Impedance		<100 ohm
Bias Output Voltage		10-14 VDC
Case Isolation		>10 ⁸ ohm

Specifications	Standard	Metric
Environmental		
Temperature Range	-40° to 250°F	-40° to 121°C
Maximum Shock Protection		5,000 g, peak
Electromagnetic Sensitivity		CE
Sealing		IP68
Physical		
Sensing Element		PZT Ceramic
Sensing Structure		Shear Mode
Weight	5.3 oz	151 grams
Case Material		316L Stainless Steel
Mounting		1/4-28
Connector (non-integral)		2 Pin MIL-C-5015
Resonant Frequency	1,260,000 CPM	21000 Hz
Mounting Torque	2 to 5 ft. lbs.	2,7 to 6,8 Nm
Mounting Hardware	1/4-28 Captive Bolt	M6x1 Captive Bolt
Calibration Certificate		CA10

Ordering Information

Standard	AC964-1A	AC964-3C - /	AC964-9C - /
	(1/4-28 Captive Bolt)	(1/4-28 Captive Bolt)	(1/4-28 Captive Bolt)
		(length in feet) (termination)	(maximum armor length 100 ft.) (cable length in feet) (termination)
Metric	M/AC964-1A	M/AC964-3C - /	M/AC964-9C - /
	(M6x1 Captive Bolt)	(M6x1 Captive Bolt)	(M6x1 Captive Bolt)
		(length in meters) (termination)	(maximum armor length 30 m) (cable length in meters) (termination)

Read Before Purchasing
Important information on
Regulatory Approvals and Requirements
on Page 97

Cable Termination Options: L Z

Backed by our Unconditional Lifetime Warranty

www.ctconline.com

