

AC940 Series

Class I, Division 2/Zone 2 Accelerometer, For Use In "Non-Arcing, Non-Sparking" Environments, Top Exit Connector/Cable, 100 mV/g

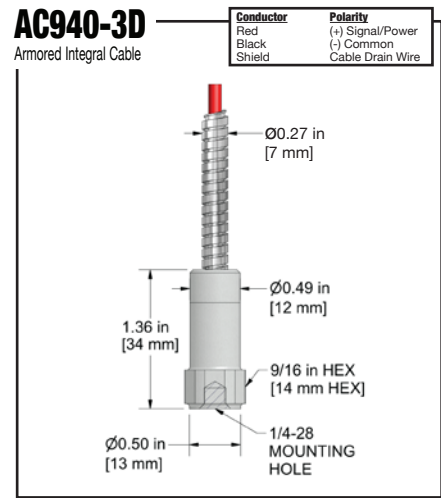
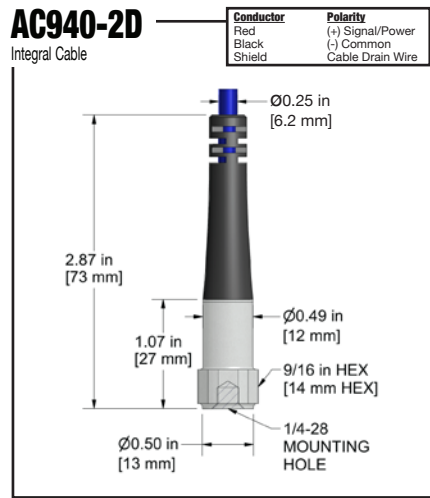
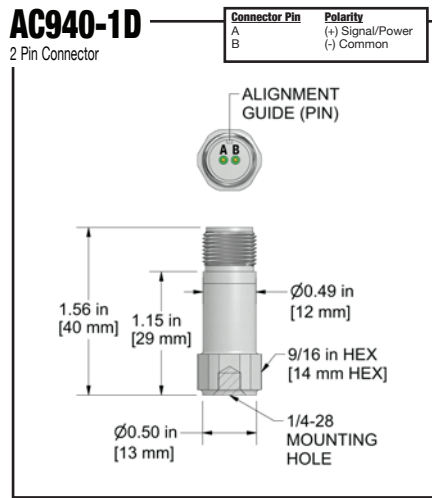
CSA/ATEX Approved

Must Use "Class I, Division 2" CB190 or CB206 Cable and J2Q Connector

REGULATORY INFORMATION

Ex nA IIC T3C Gc
 AEx nA IIC T3C Gc
 CLI Groups A, B, C, D
 CLII Groups E, F, G; CLIII
 CLI, Zone 2

Operating Temperature Code: T3C
 Ambient Temperature Range = -40°C to +121°C
 Ui = 28 Vdc li = 100 mA
 CSA 221421
 Sira 15ATEX2152X
 Ex nA IIC T3 Ga



Specifications	Standard	Metric
Part Number	AC940	M/AC940
Vibration		
Sensitivity (±10%)	100 mV/g	
Frequency Response (±3dB)	36-900,000 CPM	0,6-15000 Hz
Frequency Response (±10%)	60-420,000 CPM	1,0-7000 Hz
Dynamic Range	± 50 g, peak	
Electrical		
Settling Time	<2.5 seconds	
Voltage Source (IEPE)	18-28 VDC	
Constant Current Excitation	2-10 mA	
Spectral Noise @ 10 Hz	30 µg/√Hz	
Spectral Noise @ 100 Hz	4 µg/√Hz	
Spectral Noise @ 1000 Hz	2 µg/√Hz	
Output Impedance	<100 ohm	
Bias Output Voltage	10-14 VDC	
Case Isolation	>10 ⁹ ohm	

Specifications	Standard	Metric
Environmental		
Temperature Range	-58 to 250°F	-50 to 121°C
Maximum Shock Protection	5,000 g, peak	
Electromagnetic Sensitivity	CE	
Sealing	Welded, Hermetic	
Physical		
Sensing Element	PZT Ceramic	
Sensing Structure	Shear Mode	
Weight	0.7 oz	20 grams
Case Material	316L Stainless Steel	
Mounting	1/4-28	
Connector (non-integral)	2 Pin mini-MIL, J Series Connectors	
Integral Cable (AC940-2D)	Blue TPE Cable	
Armored Cable (AC940-3D)	Armor Jacketed Cable	
Resonant Frequency	2,040,000 CPM	34000 Hz
Mounting Torque	2 to 5 ft. lbs.	2,7 to 6,8 Nm
Mounting Hardware	1/4-28 Stud	M6x1 Adapter Stud
Calibration Certificate	CA10	

Ordering Information

Standard	AC940-1D (1/4-28 Stud)	AC940-2D / (1/4-28 Stud)	AC940-3D / (1/4-28 Stud)
		(length in feet) (termination)	(maximum armor length 100 ft.) (cable length in feet) (termination)
Metric	M/AC940-1D (M6x1 Adapter Stud)	M/AC940-2D / (M6x1 Adapter Stud)	M/AC940-3D / (M6x1 Adapter Stud)
		(length in meters) (termination)	(maximum armor length 30 m) (cable length in meters) (termination)

Read Before Purchasing
 Important information on Regulatory Approvals and Requirements on Page 67

Cable Terminations: L Z



VIBRATION ANALYSIS HARDWARE

Backed by our Unconditional Lifetime Warranty