

MOBILE OIL TESTER (MOT) KIT

Product Ref: OQ-MOT-I



➔ PRODUCT OVERVIEW

Instantly Test Multiple Oil Samples in the Field and in the Workshop. The MOT is a complete mobile oil quality test kit built around the Oil Quality Sensor (OQSx). A small sample of any oil type can be instantly tested and its precise quality reported. Ideal for maintenance depots or mobile crews.

➔ KEY PRODUCT FEATURES

- Fully Configurable**
 Any oil type, MOT allows accurate testing of any oil or fuel oil.
- Instant Results**
 Instant diagnosis of potential issues with the ability to store trend data.
- Fully Certified**
 The Oil Quality Sensor (OQSx) is fully certified to international standards to work in the majority of commercial and industrial applications.

- Robust and Rugged**
 Housed within a rugged industrial quality IP67 rated case, ideal for throwing in the back of your service vehicle and carrying on site.
- All You Need**
 Everything your service engineers need to undertake instant oil analysis in one place.
- Portable**
 MOT is fully portable - ideal for the workshop and for field maintenance crews.

➔ BENEFITS



Reduced Wastage
 Avoid unnecessary oil waste by only changing oil which needs to be changed.



Prevent Catastrophic Failure
 Track real time changes to your oil quality preventing avoidable failures.



Improved Safety
 Ensures your equipment is in optimal condition making a safer working environment.



Optimise Service Intervals
 Optimise service intervals without risking equipment performance and reliability.

MOBILE OIL TESTER (MOT) KIT



➤ SPECIFICATIONS

Order Information

Product Name: Mobile Oil Test (MOT) Kit
Product Code: OQ-MOT-1

Physical

Weight: 3kg
Buoyancy Maximum: 9.1kg
Security: Stainless steel padlock hasps
Handle: Single, fold-down, rubber over-moulded handle
Features: Automatic pressure equalisation valve, rubber 'O-ring' seal, solid wall design, scratch resistant
Length: 306mm
Width: 234mm
Depth: 130mm

Oil Quality Detection Parameters

Frequency: 15 per second
Sensitivity: 15ppm
Accuracy: +/-1%
Elements: All wear and contamination elements

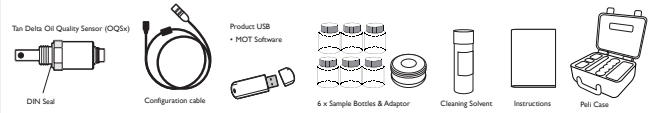
System Requirements

Operating System: Windows 7, Windows 8 and Windows 10
Minimum Space: 100Mb
Internet Connection: Optional for application and database updates

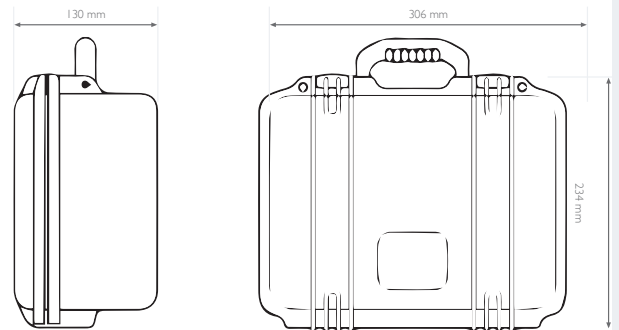
Standards and Certification

Water & Dust: IP67 when connected
Shock & Vibration: BS EN 60068-2-30 (Test Db - Cyclic Humidity) BS EN 60068-2-6 (Test Fc - Sine Vibration) BS EN 60068-2-27 (Test Ea - Mechanical Shock)
EMC: EN 61000-6-4:2007 (Generic Emissions Standard for Industrial Environments) EN 61000-6-2:2005 (Generic Immunity Standard for Industrial Environments)
Case Protection: Waterproof, Crushproof, Dustproof, Corrosion-proof
Case Certification: IP67, Stanag 4280 / Defstan 81-41, MIL C-1450-J, ATA

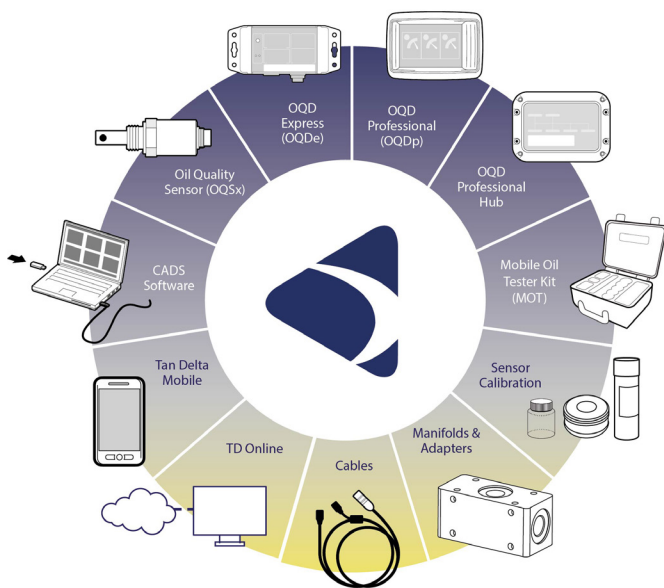
➤ WHATS IN THE BOX



➤ DIMENSIONS



➤ ABOUT TAN DELTA



Tan Delta Systems Limited is a global leader in the development and supply of advanced oil condition monitoring technologies, with a fully integrated product portfolio all engineered and developed from the initial core product, the oil quality sensor (OQSx).

Our products are trusted by the world's leading industrial and commercial companies to monitor oil condition, helping to optimise equipment productivity, reduce operating costs, thereby remaining competitive in a global economy.

All Tan Delta products are engineered and quality manufactured for long term continuous operation in the harshest commercial and industrial environments. Each product is carefully engineered and tested to withstand the long term effects of extreme shock, vibration, heat, cold, thermal shock, electrical interference and many more factors.

The Tan Delta Customer Support team partners with customers to implement highly effective and commercial beneficial oil conditioning. Our experience and expertise enable customers to quickly and smoothly implement successful condition monitoring.

Tan Delta provide ongoing 24/7 global warranty support, technical support, advice and consultancy to ensure customers maximise the long term benefits of their investment in oil condition monitoring.

Tan Delta Systems Limited is always looking to exceed customer expectations, so for this reason reserves the right to alter, without notice, the specification, design or conditions of supply of any product or service. Information provided by Tan Delta Systems is believed to be accurate and reliable. However, no responsibility is assumed by Tan Delta Systems for its use, nor any infringements of patents or other rights of third parties, which may result from its use. No license is granted by implication or otherwise under any patent or patent rights of Tan Delta Systems ©Tan Delta Systems Ltd 2017

