

Actual Product Size Shown



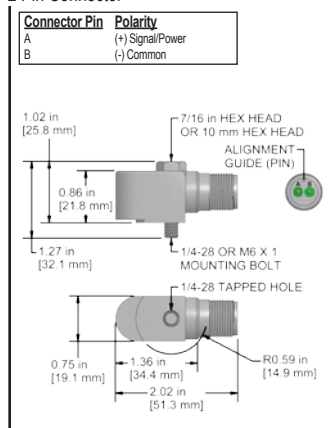
Product Features

High Performance in an Affordable, Side Exit Compact Sensor

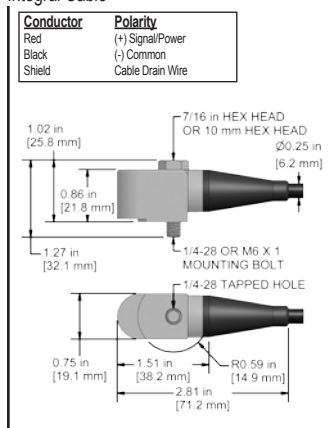
Very Low Noise

- Superior RF Immunity
- ±80 g, Peak Dynamic Range, ± 10% Sensitivity
- Standard 2 Pin MIL Connection

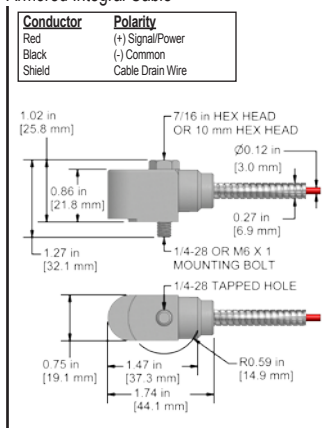
AC194-1D 2 Pin Connector



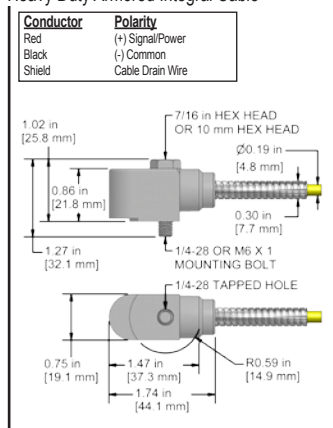
AC194-2D Integral Cable



AC194-3D Armored Integral Cable



AC194-6D Heavy Duty Armored Integral Cable



Specifications	Standard	Metric
Part Number	AC194	M/AC194
Sensitivity (±10%)	100 mV/g	
Frequency Response (±3dB)	30-600,000 CPM	0.5-10000 Hz
Dynamic Range	± 80 g, peak	
Electrical		
Setting Time	<2 Seconds	
Voltage Source (IEPE)	18-30 VDC	
Constant Current Excitation	2-10 mA	
Spectral Noise @ 10 Hz	8 µg/√Hz	
Spectral Noise @ 100 Hz	4 µg/√Hz	
Spectral Noise @ 1000 Hz	2 µg/√Hz	
Output Impedance	<100 ohm	
Bias Output Voltage	10-14 VDC	
Case Isolation	>10 ⁸ ohm	

Specifications	Standard	Metric
Environmental		
Temperature Range	-58 to 250°F	-50 to 121°C
Maximum Shock Protection	5,000 g, peak	
Electromagnetic Sensitivity	CE	
Sealing	IP68	
Submersible Depth (AC194-2D/3D)	200 ft.	60 m
Physical		
Sensing Element	PZT Ceramic	
Sensing Structure	Shear Mode	
Weight	3.3 oz	93 grams
Case Material	316L Stainless Steel	
Mounting	1/4-28	
Connector (non-integral)	2 Pin MIL-C-5015	
Resonant Frequency	1,200,000 CPM	23000 Hz
Mounting Torque	2 to 5 ft. lbs.	2.7 to 6.8 Nm
Mounting Hardware	1/4-28 Captive Bolt	M6x1 Captive Bolt
Calibration Certificate	CA10	

Ordering Information

Standard	AC194-1D (1/4-28 Captive Bolt)	AC194-2D - / (1/4-28 Captive Bolt)	AC194-3D - / (1/4-28 Captive Bolt)	AC194-6D - / (1/4-28 Captive Bolt)
Metric	M/AC194-1D (M6x1 Captive Bolt)	M/AC194-2D - / (M6x1 Captive Bolt)	M/AC194-3D - / (M6x1 Captive Bolt)	M/AC194-6D - / (M6x1 Captive Bolt)

