

# AC184 Series

Multi-Purpose Accelerometer, M8 Captive Bolt, Side Exit Connector/Cable, 100 mV/g

SECTION 1 - VIBRATION SENSORS  
Accelerometers



Actual Product Size Shown



## M8 Captive Bolt Product Features

**CTC's Most Popular Side Exit Sensor, Now With M8 Mounting!**

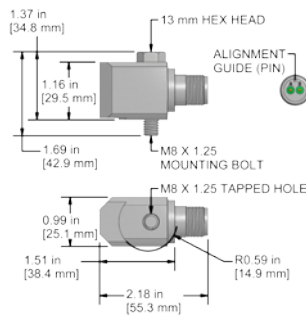
**High Performance in a Low Cost Sensor**

- Standard 2 Pin MIL Connection
- Perfect for M8 Applications
- Affordably Priced

### AC184-1A

2 Pin Connector

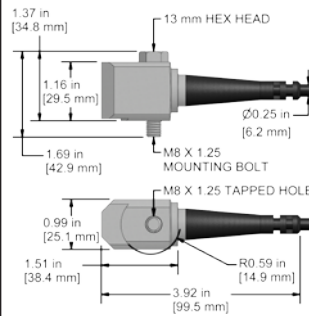
Connector Pin	Polarity
A	(+) Signal/Power
B	(-) Common



### AC184-2C

Integral Cable

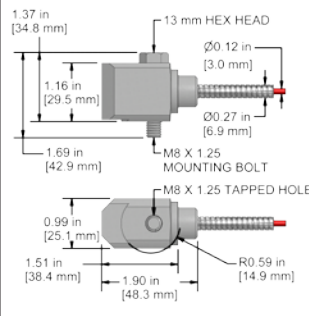
Conductor	Polarity
Red	(+) Signal/Power
Black	(-) Common
Shield	Cable Drain Wire



### AC184-3C

Armored Integral Cable

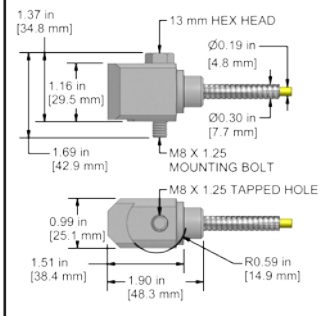
Conductor	Polarity
Red	(+) Signal/Power
Black	(-) Common
Shield	Cable Drain Wire



### AC184-6C

Heavy Duty Armored Integral Cable

Conductor	Polarity
Red	(+) Signal/Power
Black	(-) Common
Shield	Cable Drain Wire



Specifications	Standard	Metric
Part Number	AC184	
Sensitivity (±10%)	100 mV/g	
Frequency Response (±3dB)	30-600,000 CPM	0.5-10000 Hz
Frequency Response (±10%)	120-300,000 CPM	2.0-5000 Hz
Dynamic Range	± 50 g, peak	
<b>Electrical</b>		
Settling Time	<2.5 seconds	
Voltage Source (IEPE)	18-30 VDC	
Constant Current Excitation	2-10 mA	
Spectral Noise @ 10 Hz	14 µg/√Hz	
Spectral Noise @ 100 Hz	2.3 µg/√Hz	
Spectral Noise @ 1000 Hz	2 µg/√Hz	
Output Impedance	<100 ohm	
Bias Output Voltage	10-14 VDC	
Case Isolation	>10 <sup>9</sup> ohm	

Specifications	Standard	Metric
<b>Environmental</b>		
Temperature Range	-58 to 250°F	-50 to 121°C
Maximum Shock Protection	5,000 g, peak	
Electromagnetic Sensitivity	CE	
Sealing	IP68	
Submersible Depth (AC184-2C/3C)	200 ft.	60 m
<b>Physical</b>		
Sensing Element	PZT Ceramic	
Sensing Structure	Shear Mode	
Weight	6 oz	170 grams
Case Material	316L Stainless Steel	
Mounting	M8	
Connector (non-integral)	2 Pin MIL-C-5015	
Resonant Frequency	1,200,000 CPM	20000 Hz
Mounting Torque	2 to 5 ft. lbs.	2.7 to 6.8 Nm
Mounting Hardware	M8 Captive Bolt	
Calibration Certificate	CA10	

## Ordering Information

Metric	AC184-1A (M8x1 Captive Bolt)	AC184-2C - / (M8x1 Captive Bolt)	AC184-3C - / (M8x1 Captive Bolt)	AC184-6C - / (M8x1 Captive Bolt)

Cable Termination Options: E F L Z



VIBRATION ANALYSIS HARDWARE

Backed by our Unconditional Lifetime Warranty