

LIMITED AVAILABILITY!



Actual Product Size Shown



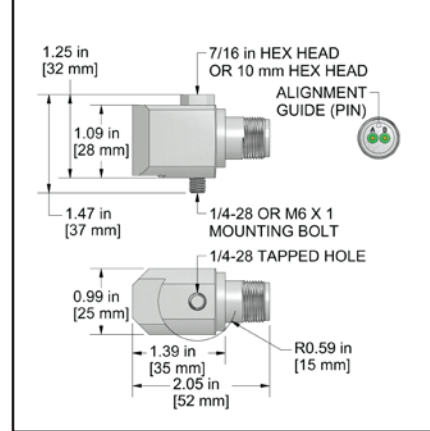
Product Features

Low Cost Side Exit Sensor!
Economical way to Trend Machinery

- Standard 2 Pin MIL Connection
- $\pm 50g$, Peak Dynamic Range
- 5 - 7000 Hz (30 - 420,000 CPM) Frequency Response

AC154-1A 2 Pin Connector

Connector	Pin Polarity
A	(+) Signal/Power
B	(-) Common



Specifications	Standard	Metric
Part Number	AC154-1A	M/AC154-1A
Sensitivity ($\pm 15\%$)	100 mV/g	
Frequency Response ($\pm 3dB$)	30-420,000 CPM	0,5-7000 Hz
Dynamic Range	$\pm 50 g$, peak	
Electrical		
Settling Time	<2.5 seconds	
Voltage Source	18-30 VDC	
Constant Current Excitation	2-10 mA	
Spectral Noise @ 10 Hz	14 $\mu g/\sqrt{Hz}$	
Spectral Noise @ 100 Hz	2.3 $\mu g/\sqrt{Hz}$	
Spectral Noise @ 1000 Hz	2 $\mu g/\sqrt{Hz}$	
Output Impedance	<100 ohm	
Bias Output Voltage	10-14 VDC	
Case Isolation	>10 ⁸ ohm	

Specifications	Standard	Metric
Environmental		
Temperature Range	-58 to 250°F	-50 to 121°C
Maximum Shock Protection	5,000 g, peak	
Electromagnetic Sensitivity	CE	
Sealing	Welded, Hermetic	
Physical		
Sensing Element	PZT Ceramic	
Sensing Structure	Shear Mode	
Weight	5.1 oz	145 grams
Case Material	316L Stainless Steel	
Mounting	1/4-28	
Connector (non-integral)	2 Pin MIL-C-5015	
Resonant Frequency	1,320,000 CPM	22000 Hz
Mounting Torque	2 to 5 ft. lbs.	2,7 to 6,8 Nm
Mounting Hardware	1/4-28 Captive Bolt	M6x1 Captive Bolt
Calibration Certificate	CA10	

Ordering Information

Standard	AC154-1A (1/4-28 Captive Bolt)
Metric	M/AC154-1A (M6x1 Captive Bolt)

Contact Factory BEFORE Ordering or Quoting!

