

# CT101

## Cable Termination Boxes 1, 2, 3 and 4 Channels

### CT101-4A



### Product Features

#### Low-Cost Cable Termination Boxes

Easy access to 1 to 4 channels with attached metal cap covers for superior durability and longevity.

- Connects remotely installed sensors to portable data collectors
- Optional cord grip inputs provide quick and secure cable entry into enclosure (see model CT101-4C Photo, left)
- Attached BNC covers keep jacks protected

### CT101-4C



### Specifications

Inputs	Terminal Block 3 Inputs per channel (+, -, Shield)
Output	BNC Jack Per Channel Electrically Isolated
Rating	NEMA 4X (IP66)
Door Attachment	4 Screws
Material	Polycarbonate
Screw Torque for Door & Mounting Feet	40-45 in-oz
Temperature Rating	-58° to 180° F (-50° to 82° C)
Resistance	Resistant to Hose Directed Fluid

### Ordering Information

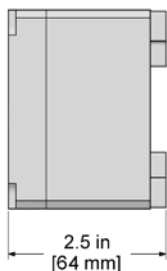
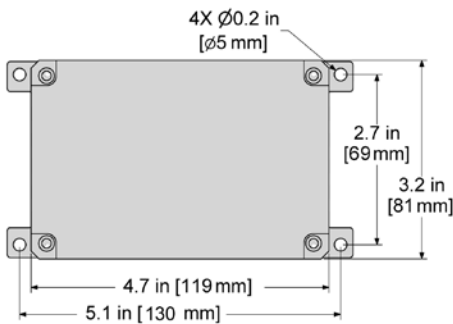
CT101 -



<b>Enclosure Type</b> Polycarbonate
--

<b>Channels</b> 1 = 1 Channel 2 = 2 Channels 3 = 3 Channels 4 = 4 Channels
--

<b>Input Options</b> A = *User Defined B = **Conduit Fitting C = Cord Grips
--



#### Example Part Number: **CT101-2C**

Two channel cable termination box, with cord grip inputs

\* No punch outs are provided in the enclosure for cable entry. User may install any fitting required.

\*\* For use with conduit.  
† Stainless Steel enclosure only.